



REPLACEMENT PARTS GUIDE

S-SERIES COMBINES S660, S670, S680, S685, S690

CAB




FRESH AIR FILTER
[RE284091](#)
Clean or replace every 50 hours and as required.




RECIRCULATION AIR FILTER
[L214634](#)
Clean or replace every 200 hours and as required.


ENGINE



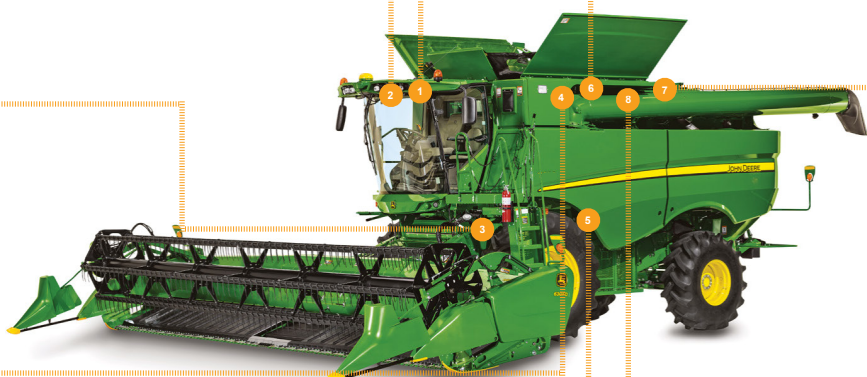
DIESEL EXHAUST FLUID (DEF) DOSING FILTER
[DZ114640](#)
Replace every 4500 hours or every three years of operation, whichever occurs first.




ENGINE AIR PRECLEANER
PRIMARY
[HXE11090](#)
SECONDARY
[HXE11091](#)
Check every 400 hours. Service Primary Air Filter when engine air filter restricted indicator is shown on display. Check safety filter for plugging.




FUEL PRECLEANER FILTER
[R502778](#)
HEAVY-DUTY (OPTIONAL)
[N378886](#)
Clean Every 50 hours and Every 400 hours or When Diagnostic Trouble Code (DTC) is generated.




ENGINE



TRANSMISSION OIL FILTER
[AL203061](#) (S670) (100000 - 109999)
Replace after every 400 hours.



FUEL FILTER
PRIMARY FUEL FILTER
[RE539465](#)
SECONDARY FUEL FILTER
[DZ112918](#)
FUEL FILTER (TIER 2)
[RE525523](#) (S660, S670)
PRIMARY FUEL FILTER (TIER 2)
[RE539465](#) (S680, S685, S690)
Replace every 400 hours and when performance decline is noticed or Diagnostic Trouble Code (DTC) is generated.



OIL FILTER
[RE509672](#) (S660, S670)
[RE572785](#) (S680, S685, S690)
Minimum hours before first engine oil change is 100 hours. Extended engine oil change every 500 hours or annually, whichever come first. The extended 500 hour interval is only allowed if using Plus-50™ II oil with a John Deere filter and diesel fuel with sulfur content less than 15mg/kg (15ppm). If all conditions are not met, change oil and filter at 250 hours of operation.

REPLACEMENT PARTS GUIDE

S-SERIES COMBINES S660, S670, S680, S685, S690

ENGINE

DEBRIS MANAGEMENT AIR FILTERS

PRIMARY

[AXE42066](#)

Check every 50 hours. Service Primary Air Filter when engine debris management air filter restricted indicator is shown on display.

SECONDARY

[AXE42065](#)

Never clean the safety element. Replace if dirty. Service or Change Secondary filters as required with Primary Filter.

DIESEL PARTICULATE FILTER (DPF)

[RE542183](#) (S660, S670) (- 095678)

[RE541836](#) (S680, S685, S690) (-096578)

[RE561836](#) (S660, S670) (MY2015 - 104999)

[DZ100174](#) (S660, S670) (105000 - 109999)

[RE561844](#) (S680, S685, S690) (MY2015 - 104999)

[DZ100175](#) (S680, S685, S690) (105000 - 109999)

Check Every 4500 hours or Diagnostic Trouble Code (DTC) is generated.

HYDRAULIC/HYDROSTATIC FILTER

[AH128449](#)

Replace every 400 hours.

ENGINE

MAIN ENGINE GEARCASE FILTER

[CE19990](#)

Change after every 400 hours or every year.

HYDRAULIC/HYDROSTATIC/TRANSMISSION

HYDROSTATIC DRIVE PUMP FILTER

[AN207368](#) (S660, S670, S680, S690 ProDrive™ Transmission)

Replace every 400 hours

HYDRAULIC RETURN FILTER

[AT129775](#) (S660, S670, S680 Electric Shift Transmission & S660, S670 ProDrive™ Transmission)

Replace every 400 hours.

[AXE12964](#) (Reservoir)(S680, S690 ProDrive™ Transmission)

Replace every 1000 hours and when Performance decline is noticed or Diagnostic Trouble Code (DTC) is generated.



CAPACITIES

S-SERIES COMBINES S660, S670, S680, S685, S690

CAPACITIES (Approximate):

Fuel Tank:

S660, S670 950 L (250 gal)
S680, S685, S690 1250 L (330 gal)

Cooling System with Heater:

Cool-Gard™ II

S660, S670 53 L (14 gal)
S680, S685, S690 (Tier 2) 61.2 L (16.16 gal)
S680, S685, S690 (Tier 4) 85 L (22.5 gal)

Engine Crankcase with Filter:

Plus-50™ II

S660, S670 27.5 L (7.30 gal)
S680, S685, S690 (Tier 2) 39 L (10.30 gal)
S680, S685, S690 (Tier 4) 43 L (11.35 gal)

Final Drives:

GL-5

All Models 8 L (2.11 gal)
S670, S680, S685, S690 (HillMaster™) 7 L (1.85 gal)

Multi-Speed Feeder House Reverser Gearcase with Cooler:

ISO VG 460 Fully Synthetic

S670, S680, S685, S690 5.2 L (1.37 gal)

Countershaft Drive Gearcase:

GL-5

All Models 1.9 L (0.50 gal)

Heavy-Duty Feeder House Reverser Gearcase with Cooler:

ISO VG 460 Fully Synthetic

S660 3.5 L (0.92 gal)

Heavy-Duty Feeder House Reverser Gearcase without Cooler:

ISO VG 460 Fully Synthetic

S660, S670 2.3 L (0.6 gal)

Extra Heavy-Duty Feeder House Reverser Gearcase without Cooler:

ISO VG 460 Fully Synthetic

S660, S670 4.9 L (1.3 gal)

Extra Heavy-Duty Feeder House Reverser Gearcase without Cooler:

ISO VG 460 Fully Synthetic

S680, S685, S690 3.6 L (0.95 gal)

Loading Auger Gearcase:

GL-5

All Models 3.8 L (1.1 gal)

Two Speed Separator Drive Gearcase:

GL-5

All Models 4.7 L (1.24 gal)

Engine Gearcase W/ Transfer (Mechanical Shift and Push Button Shift)

Hy-Gard™

S660, S670 21.3 L (5.62 gal)

Engine Gearcase W/ Transfer (Prodrive™)

Hy-Gard™

S660, S670, S680, S685, S690 51 L (13.5 gal)

Hydraulic/Hydrostatic Reservoir:

Hy-Gard™

All Models 31 L (8.2 gal)








Diesel Exhaust Fluid Tank:

John Deere™ Diesel Exhaust Fluid













All Models (Tier4) 52.2 L (13.78 gal)

REPLACEMENT PARTS GUIDE

S-SERIES COMBINES S660, S670, S680, S685, S690

THRESHING ELEMENTS (MY12-15)	
	SEPARATOR TINES KIT, STANDARD WEAR AH208554 (Set of 3 elements)
	SEPARATOR TINES KIT, HIGH WEAR AH209123 (Set of 3 elements)
	WEAR PLATES KIT, VARIABLE STREAM ROTOR, GRAIN KXE10048
	SECTIONALISED CONCAVE COVER PLATES BH84534 Only large or small wire concaves.
THRESHING ELEMENTS (MY12-18)	
	SMOOTH THRESHING ELEMENTS KIT 1st ROW AH216674 (Set of 3 elements)
	SMOOTH THRESHING ELEMENTS KIT 2nd ROW AH216675 (Set of 3 elements)
	SMOOTH THRESHING ELEMENTS KIT 3rd, 4th AND 5th ROWS AH216677 (Set of 3 elements)
	THRESHING ELEMENTS KIT 3rd, 4th AND 5th ROWS AH216678 (Set of 3 elements)
	THRESHING ELEMENTS KIT VARIABLE STREAM ROTOR, GRAIN, STANDARD KXE10034
	THRESHING ELEMENTS KIT VARIABLE STREAM ROTOR, GRAIN, HIGH WEAR KXE10035
	THRESHING ELEMENTS KIT VARIABLE STREAM ROTOR, RICE KXE10036
	SEPARATOR TINES KIT, THICK SKIN, HEAVY DUTY AH228817 (Set of 3 elements)



GRAIN TANK	
	SENSOR KIT, GRAIN TANK LEVEL BXE10270
STRAW CHOPPER(MY12-18)	
	KNIFE KIT, SERRATED KXE10256 (Set of 8 blades)
	KNIFE KIT, SERRATED, WING BLADE KXE10363 (Set of 8 blades - 4 LH and 4 RH)
	STRAW CHOPPER BLADE, STATIONARY H215004 (92 mm cut)
THRESHING ELEMENTS (MY12-18)	
	SEPARATOR TINES KIT, VARIABLE STREAM DENSE PACK BXE10020
	RICE ENHANCEMENT KIT, VARIABLE STREAM ROTOR BXE10491
	WEAR PLATES KIT, VARIABLE STREAM ROTOR, RICE, STANDARD KXE10049
	WEAR PLATES KIT, VARIABLE STREAM ROTOR, RICE, TALL KXE10142
	CONCAVE KIT, LARGE WIRE CONCAVE, HIGH WEAR BXE10391
	CONCAVE KIT, LARGE WIRE CONCAVE, REGULAR BXE10390
	SEPARATOR GRATE, HEAVY DUTY AXE44522
	FLIGHT, VARIABLE STREAM ROTOR KXE10043