

## 7700 Precision Cut Lightweight Fairway Mower

MP64026 A.1



2008 Model (Serial No. TC7700X010001-020000)

2009 Model (Serial No. TC7700X020001-030000)

2010 Model (Serial No. TC7700X030001-040000)

2011 Model (Serial No. 1TC7700X++T040001-050000)

2012 Model (Serial No. 1TC7700X++T050001-060000)

2013 Model (Serial No. 1TC7700X++T060001-070000)

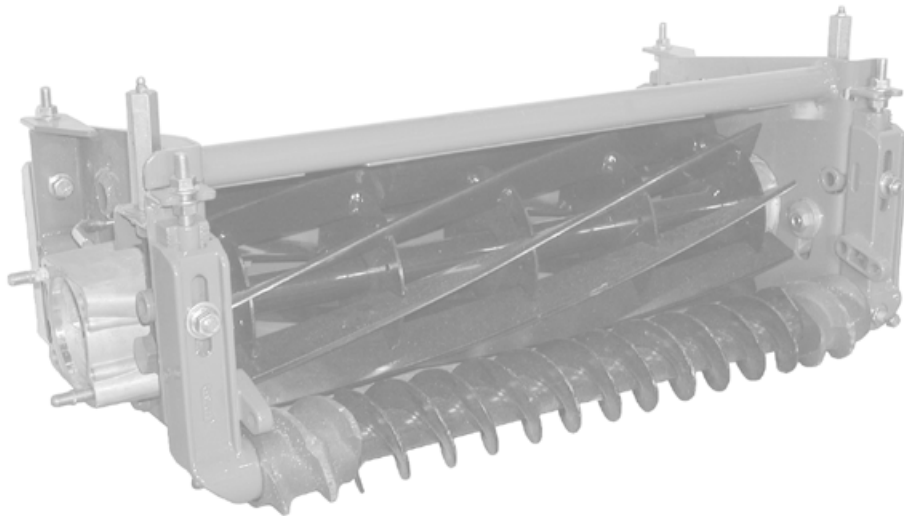
2013 Model (Serial No. 1TC7700X++F060001-070000) (TPEM)

2014 Model (Serial No. 1TC7700X++F070001- ) (TPEM)

*(Specifications and design subject to change without notice)*

## Reel Cutting Unit (Heavy Duty)

MP60253 A.1



MP60253

BM17667 8-Blade Reel Cutting Unit (Heavy Duty)

2008 Model (Serial No. M0022HX)

BM22463 8-Blade Reel Cutting Unit (Heavy Duty)

2009 Model (Serial No. M0022HX)

BM20487 5-Blade Reel Cutting Unit (Heavy Duty)

2008 Model (Serial No. M022H5X)

BM20527 10-Blade Reel Cutting Unit (Heavy Duty)

2008 Model (Serial No. M02210X)

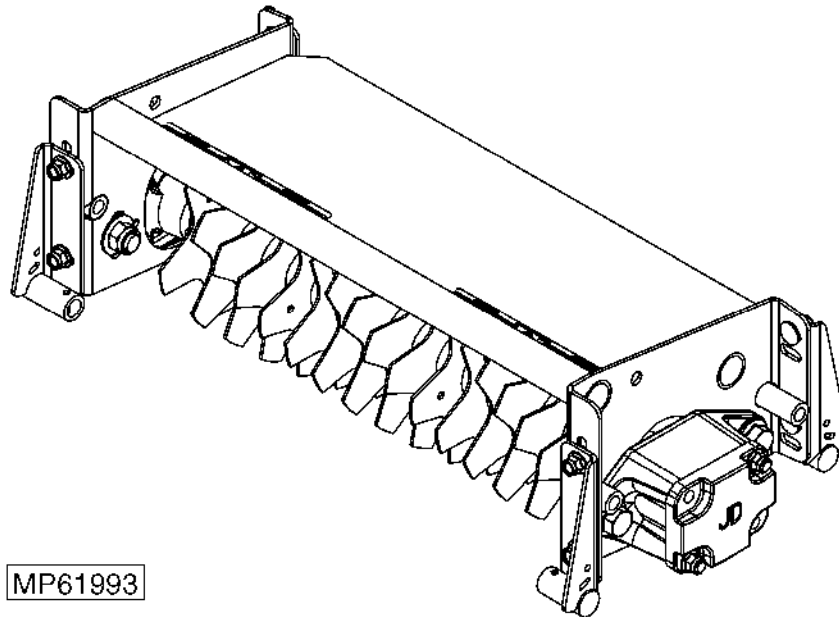
BM22464 10-Blade Reel Cutting Unit (Heavy Duty)

2009 Model (Serial No. M02210X)

*(Specifications and design subject to change without notice)*

## Vertical Cutting Unit (Heavy Duty)

MP61993 A.1



MP61993

BM17946 Vertical Cutting Unit (Heavy Duty)

2008 Model (Serial No. M0VC22H)

BM22461 Vertical Cutting Unit (Heavy Duty)

2009 Model (Serial No. M0VC22H)

*(Specifications and design subject to change without notice)*

### Product Identification And Serial Number Plate

An individual product identification and serial number is assigned to each machine. When writing about or filling out warranty claims, use all the characters shown on the plate.

Example: TC7700X010001

TC-Factory Designation (Turf Care)

7700-Model Or Machine Designation

7700 Precision Cut Fairway Mower

X-Configuration Code

010001-Serial Number

Example: 1TC7700X++T040001

1TC-Factory Designation (Turf Care)

7700-Model Or Machine Designation

7700 Precision Cut Fairway Mower

X-Configuration Code

+-Random Number

+-Calendar Year of Manufacture

T-Turf Care

040001-Serial Number

### Product Configuration Code

The configuration "alpha" code identifies a variation of a product. Example: A machine may be manufactured as a two-wheel or four-wheel drive unit, and be shipped with standard or wide cutting units; thus four variations of the same machine exist. It also identifies different products which have the same model or machine designation (a tractor and an attachment tiller may have the same model numbers). If no configuration "alpha" code is required, space is filled in with an "X".

### Serial Number Listing Information

Serial number information is listed to show on which machines each part can be used; for example:

- The part can be used on all products.
- 000000 – The part can be used on products beginning with the serial number listed.
- 000000 The part can be used on products up to and including the serial number listed.
- 000000 – 000000 The part can be used on products between and including the serial number listed.

When XXXXXX's are listed in place of a serial number, a serial number change was made, but the exact serial number was not available at the time of publication.

### To The Customer

The part numbers in this Parts Catalog were correct at the time of publication. Per John Deere policy, we continuously improve our products. Therefore, when ordering parts verify the part numbers with your dealer.

### SI Units of Measure

Metric dimensions are provided as applicable throughout this parts catalog.

### Bolt and Cap Screw Strength Identification

Bolts and cap screws required to have high-strength qualities equivalent to metric property class 10.9 (SAE grade 8) or higher are identified throughout this catalog by the description 10.9, 12.9 or 14.9. All standard bolts and cap screws are metric property class 8.8 (SAE grade 5) or lower.

### Illustrations

Illustrations in this catalog are only intended as a reference for dealers and customers. These illustrations do not necessarily represent the exact view of the parts.

### Box-Enclosed Illustrations

Box-enclosed keyed parts in the illustration are available as a service assembly or an attachment. These parts may also include parts not available for service. The illustrations may not show all individual parts of an attachment. A box not keyed includes non-current parts.

### Orientation Of Product

An arrow shown with an illustration is to indicate the direction of product forward travel. Right Hand (RH) and Left Hand (LH) sides are determined by product forward travel.

### Orientation of Engine

Right Hand (RH) and Left Hand (LH) sides are determined by standing at flywheel and facing the engine.

### John Deere Remanufactured Components

The REMAN parts listed in this catalog are intended for the repair or replacement of failed or worn original equipment components. John Deere Reman components are manufactured to stringent John Deere standards and produced to original John Deere specifications that incorporates the latest design and performance improvement updates.

### Ag and Turf Turf and Utility — Trademarks

7-Iron™	Quik-Trak™	Mulch On Demand™
Aercore™	Ready To Mow™	Trail Gator™
Auto 4x4 Wheel Drive™	RGator™	Turf Gator™
AutoConnect™	Roll-Gard™	X700™
AutoTrac™	iMatch™	ZTrak™
Buck™	John Deere™	Funk™
Gator™	SelectSpray™	iTorque™
Greens Tender™	TerrainCut™	Phoenix™
Precision Cut Reel™	E-Gator™	PowerTech™
PrecisionCut™	eHydro™	TMII™
ProGator™	EZtrak™	TMIII™

**Ag and Turf Turf and Utility — Terms and Abbreviations**

Phrase	Meaning	Phrase	Meaning
A/C	Air Conditioning	NSEP	Not Supplied Separately
ALSO ORDER	Also Order	OD	Outside Diameter
AND	and	OOS	Open Operator's Station
APPL	This Application Only	OPTION	Option
AR	As Required	OPTIONAL	Optional
ASSY	Complete Assembly	OR	Or
CNLA	Complete No Longer Available (Order Individual Parts)	ORD	Order
COMPLETE	Complete	ORD W/	Order With
CTL	Cut To Length	OS	Oversize
CW	Clockwise	OUTER	Outer
ECU	Engine Control Unit	PKG	Package of
FI	Field Installation Kit	PTO	Power Take-Off
FIP	Fuel Injection Pump	RATIO	Ratio
FOR	For	RCU	Reverser Control Unit
FRONT	Front	REAR	Rear
HS, HEAD MARKED	High Strength, Head Marked	REMAN	Remanufactured
HTC	Heater Control Unit	RH	Right Hand
ID	Inside Diameter	SCV	Selective Control Valve
INCL	Includes	STD	Standard
INCL KEYS	Including Keys	SUB	Replaced by
INCLUDE PARTS MARKED	Include Parts Marked	SUB COMPONENTS	Sub Components
INNER	Inner	SUB FOR	Substitute for
KIT	Kit	TK	Thickness
LGTH	Length	UIM	User Interface Module
LH	Left Hand	UP	Upper
LOW	Lower	US	Undersize
MARKED	Marked	USE WITH	Use With
MF	Made From	W/	With
MFWD	Mechanical Front Wheel Drive	W/O	Without
NA	Not Applicable	Z	Gear and Sprocket Teeth Number
NLA	No Longer Available		