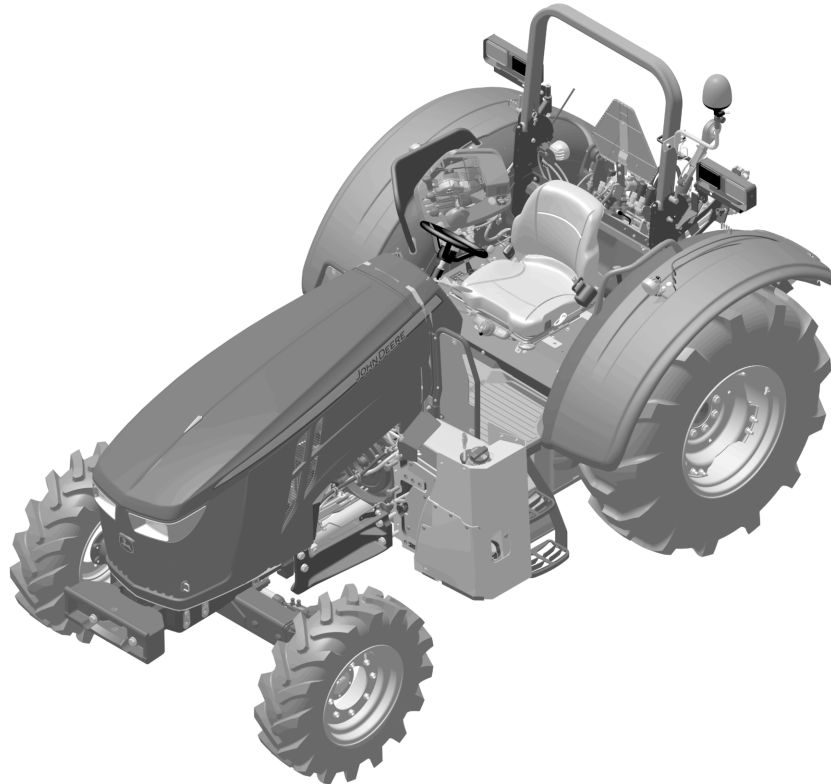


John Deere 5125ML Tractor

LV345564 A.1



LV345564

(Specifications and design subject to change without notice)

To The Customer

The part numbers in this Parts Catalog were correct at the time of publication. Per John Deere policy, we continuously improve our products. Therefore, when ordering parts verify the part numbers with your dealer.

SI Units of Measure

Metric dimensions are provided as applicable throughout this parts catalog.

Bolt and Cap Screw Strength Identification

Bolts and cap screws required to have high-strength qualities equivalent to metric property class 10.9 (SAE grade 8) or higher are identified throughout this catalog by the description 10.9, 12.9 or 14.9. All standard bolts and cap screws are metric property class 8.8 (SAE grade 5) or lower.

Serial Number Listing Information

Serial number information is listed to show on which machines each part can be used; for example:

- The part can be used on all products.
- 000000 – The part can be used on products beginning with the serial number listed.
- 000000 The part can be used on products up to and including the serial number listed.
- 000000 – 000000 The part can be used on products between and including the serial number listed.

When XXXXXX's are listed in place of a serial number, a serial number change was made, but the exact serial number was not available at the time of publication.

Illustrations

Illustrations in this catalog are only intended as a reference for dealers and customers. These illustrations do not necessarily represent the exact view of the parts.

Box-Enclosed Illustrations

Box-enclosed keyed parts in the illustration are available as a service assembly or an attachment. These parts may also include parts not available for service. The illustrations may not show all individual parts of an attachment. A box not keyed includes non-current parts.

Orientation Of Product

An arrow shown with an illustration is to indicate the direction of product forward travel. Right Hand (RH) and Left Hand (LH) sides are determined by product forward travel.

Orientation of Engine

Right Hand (RH) and Left Hand (LH) sides are determined by standing at flywheel and facing the engine.

John Deere Remanufactured Components

The REMAN parts listed in this catalog are intended for the repair or replacement of failed or worn original equipment components. John Deere Reman components are manufactured to stringent John Deere standards and produced to original John Deere specifications that incorporates the latest design and performance improvement updates.

Ag and Turf Tractor — Trademarks

ACS™	GreenStar™	PowrQuad™
ActiveSeat™	Harvest Smart™	PowrReverser™
AirCushion™	HarvestLab™	PowrSync™
AutoPowr™	HillMaster™	ProDrive™
AutoQuad™	HydraFlex™	QuikTach™
AutoTrac™	iMatch™	Reman™
Bullet Rotor™	iTorque™	Roll-Gard™
ClimaTrak™	IVLOC™	Service ADVISOR™
ComfortCommand™	IVT™	StarFire™
ComfortGard™	JDLINK™	StellarSupport™
CommandARM™	Load Command™	STS™
CommandCenter™	Mega Track™	SyncReverser™
CommandTouch™	Nothing Runs Like a Deere™	SyncroPlus™
CommandView™	Parallel Tracking™	SyncShift™
Contour-Master™	PermaClutch 2™	SyncShuttle™
COOL-GARD™	Phoenix™	TLS™ (Triple-Link Suspension)
Field Office™	Power Zero™	TMIII™
FieldCruise™	PowerGard™	TMII™
Funk™	PowerTech™	Vari-Cool™

Ag and Turf Tractor — Terms and Abbreviations

Phrase	Meaning	Phrase	Meaning
2WD	Two Wheel Drive	NA	Not Applicable
4WD	Four Wheel Drive	OD	Outside Diameter
A/C	Air Conditioning	OOS	Open Operator's Station
AH	Ampere-hour	OPTION	Option
ALSO ORDER	Also Order	OR	Or
AND	And	ORDER	Order
APPL	This Application Only	ORDER WITH	Order With
AR	As Required	OS	Oversize
CAC	Charge Air Cooler	PC-HYDRAULICS	Pressure Compensated Hydraulics
CTL	Cut To Length	PFC-HYDRAULICS	Pressure and Flow Compensated Hydraulics
DEF	Diesel Exhaust Fluid	PKG	Package of
ECU	Engine Control Unit	PST	Power Shift Transmission
EGR	Exhaust Gas Recirculation	PTO	Power Take-Off
FOR	For	REAR	Rear
FRONT	Front	REMAN	Remanufactured
FT4	Final Tier 4 / Stage-IV	RH	Right Hand
HCS	Hydraulic Cab Suspension	ROPS	Roll Over Protection Structure
HI-LO	High-Low	SCR	Selective Catalytic Reduction
HMS	Headland Management System	SCV	Selective Control Valve
HVAC	Heating, Ventilation and Air Conditioning	SFA	Front Axle Suspension Control Unit and/Or Cab Suspension Unit
ICV	Independent Control Valve	SSU	Control Unit for Steering System (AutoTrac™)
ID	Inside Diameter	STD	Standard
INCLUDES	Includes	SUB FOR	Substitute For
Phrase	Meaning	Phrase	Meaning
IT4	Interim Tier 4 / Stage-IIIb	T2	Tier 2 / Stage-II
KIT	Kit	T3	Tier 3 / Stage-IIIa
LGTH	Length	TCU	Transmission Control Unit
LH	Left Hand	TK	Thickness
LS	Load Sensing	UP	Upper
LTC	Low Temperature Circuit	USE WITH	Use With
MARKED	Marked	W/	With
MF	Make From	W/O	Without
MFWD	Mechanical Front Wheel Drive	Z	Gear and Sprocket Teeth Number

Serial Number Codes

The following codes are used to designate the serial number types in group headings and footnotes because of limited space. They will be used only when the type is different than the serial column heading shown on the page.

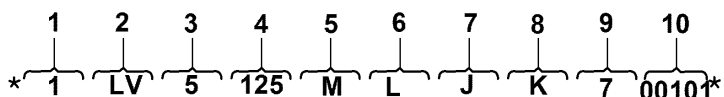
RG	Roll-Gard
SGB	Sound-Gard Body
CSN	Cab Serial Number
ESN	Engine Serial Number
ASN	Axle Serial Number
PSN	Hydraulic Pump Serial Number
TSN	Tractor Serial Number
PQT	Powrquad Transmission Serial Number
PST	Power Shift Transmission Serial Number
QRT	Quadrangle Transmission Serial Number
SPT	Syncroplus Transmission Serial Number
SRT	Syncro-Range Transmission Serial Number
DSN	Differential Serial Number
IVT	Infinitely Variable Transmission Serial Number
TLS	Triple Link Suspension Serial Number

Serial Numbers

Each tractor has the following serial number plates: basic tractor, engine, transmission and mechanical front wheel drive or two-wheel drive.

Product Identification Number, 17-Digit

LV509431 A.1



LV509431

1 - Tractor World Manufacturing Code	1
2 - Tractor Manufacturer	LV - John Deere Augusta Works
3 - Tractor Series	5
4 - Tractor Engine HP	125
5 - Tractor Family	M
6 - Tractor Family Extension	L
7 - Calender Year	J- 2018
8 - Tractor Model Year	K- 2019
9 - Platform Identifier	7- FOOS (Low Profile)
10- Tractor Serial Number	00101

Calendar Year / Model Year

Year	Code	Year	Code	Year	Code	Year	Code
2008	8	2018	J	2028	W	2038	8
2009	9	2019	K	2029	X	2039	9
2010	A	2020	L	2030	Y	2040	A
2011	B	2021	M	2031	1	2041	B
2012	C	2022	N	2032	2	2042	C
2013	D	2023	P	2033	3	2043	D
2014	E	2024	R	2034	4	2044	E
2015	F	2025	S	2035	5	2045	F
2016	G	2026	T	2036	6	2046	G
2017	H	2027	V	2037	7	2047	H

Engine Grouping Information

Engines in this catalog are manufactured in torreon. One engine displacement size is produced, as a turbocharged diesel. To assist your John Deere parts depot in giving you prompt and efficient service, refer to the engine serial number plate for proper engine identification.

NOTE: If you have engine problems or corrections to this catalog, notify DPAC at waterloo tractor works (RW).

Engine Serial Number Plate

LV304790 A.1



LV304790

1. DESIGNATES ENGINE MANUFACTURER
2. DESIGNATES NUMBER OF CYLINDERS
3. DESIGNATES TOTAL DISPLACEMENT
4. DESIGNATES TYPE OF AIR INTAKE SYSTEM
5. DESIGNATES ENGINE SERIAL NUMBER
6. DESIGNATES USER
7. DESIGNATES ENGINE VERSION

PE= JOHN DEERE TORREON
 4- CYLINDER
 4.5 LITERS
 AIR TO AIR AFTER COOLER
 123456 (SIX DIGITS)
 LV - AUGUSTA
 73

Engine Serial Number Plate Location

LVP5832 A.1



The engine serial number plate is located on the right hand side of the engine block.

Transmission serial number

PULV000135 A.1



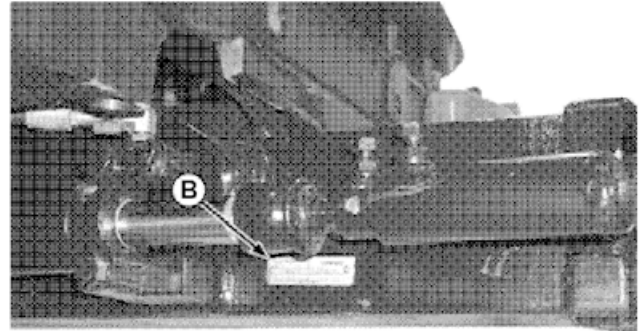
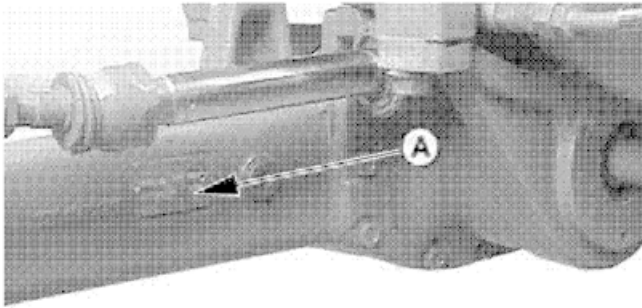
The transmission type identifier is used in the heading of some pages or sections of this parts catalog when the information listed in the page or section does not apply for all transmission types listed below.

1	TSS Plus	Sync Shuttle Plus
2	SR	Sync Reverser™
3	PR	PowrReverser™
4	PR Plus	PowrReverser™ Plus
5	CQT	CommandQuad™

To get the transmission type identifier of your tractor, follow the steps listed below: the transmission serial number is located: at the rear of the machine, on the top right-hand corner of the differential housing

MFWD Serial Number

PULV100738 A.1



PULV100738

A	The MFWD serial number plate is located on the right-hand rear surface of the front axle.
B	Two-wheel drive serial number plate is located on the right-hand rear surface of the axle housing