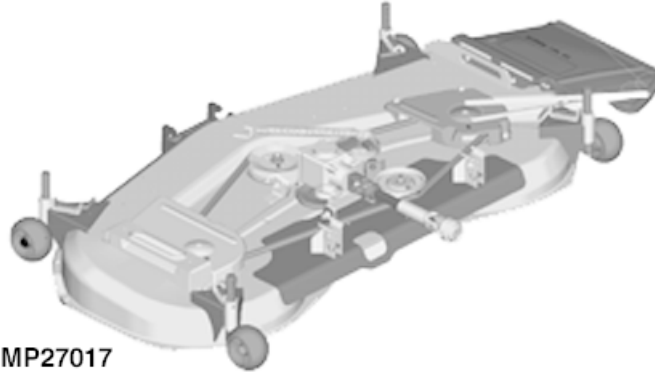


54C Mower Deck (2210 Compact Utility Tractor)

A.1



MP27017

2002 Model (SN M054CBB010001-020000)

2003 Model (SN M054CBB020001-040000)

2004 Model (SN M054CBC040001-050000)

2005 Model (SN M054CBC050001-070000)

2006 Model (SN M054CBC070001-080000)

2007 Model (SN M054CBC080001-090000)

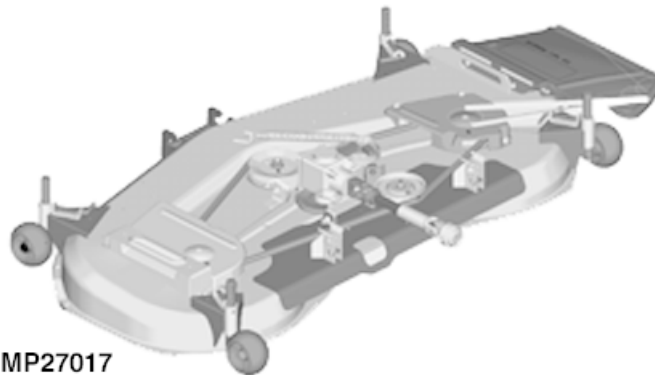
2008 Model (SN M054CBC090001-100000)

2009 Model (SN M054CBC100001-)

(specifications and design subject to change without notice)

62C Mower Deck (2210 Compact Utility Tractor)

A.1



MP27017

2002 Model (SN M062CBC010001-020000)

2003 Model (SN M062CBC020001-040000)

2004 Model (SN M062CBD040001-060000)

2005 Model (SN M062CBD060001-080000)

2006 Model (SN M062CBD080001-090000)

2007 Model (SN M062CBD090001-100000)

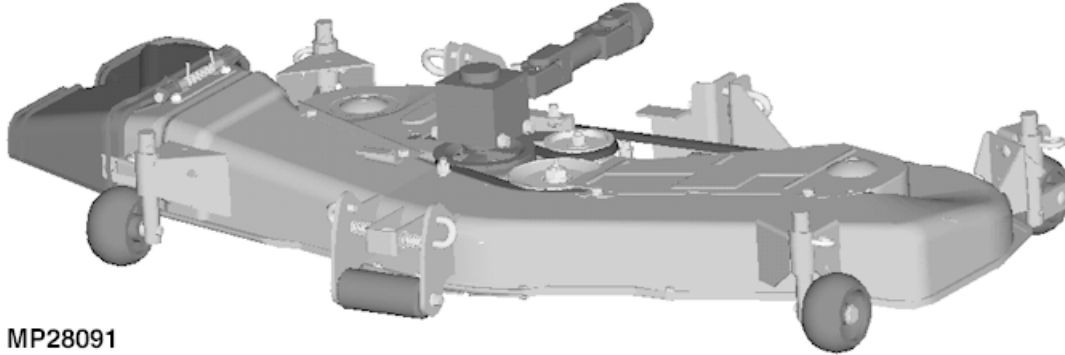
2008 Model (SN M062CBD100001-110000)

2009 Model (SN M062CBD110001-)

(specifications and design subject to change without notice)

Mid-Mount Rotary Mower

A.1



MP28091

54-Inch

(4010 Compact Utility Tractor)

2002 Model (SN TC4054X010001-015000)

2003 Model (SN M04054X015001-025000)

2004 Model (SN M04054X025001-030000)

2005 Model (SN M04054X030001-040000)

2006 Model (SN M04054X040001-050000)

2007 Model (SN M04054X050001-)

60-Inch

(4010 Compact Utility Tractor)

2002 Model (SN TC4060X010001-015000)

2003 Model (SN M04060X015001-025000)

2004 Model (SN M04060X025001-030000)

2005 Model (SN M04060X030001-040000)

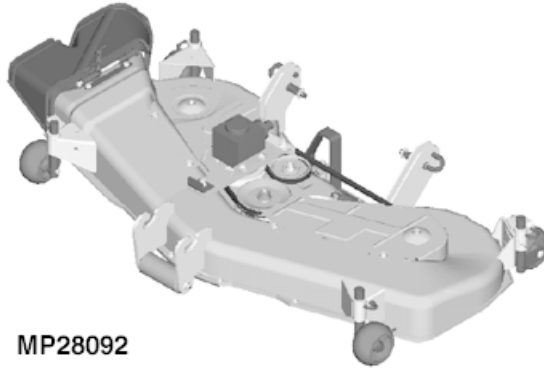
2006 Model (SN M04060X040001-050000)

2007 Model (SN M04060X050001-)

(specifications and design subject to change without notice)

Mid-Mount Rotary Mower

A.1



MP28092

54-Inch

(4110 Compact Utility Tractor)

2002 Model (SN TC4154X010001-015000)

2003 Model (SN M04154X015001-020000)

2004 Model (SN M04154X020001-030000)

2005 Model (SN M04154X030001-040000)

2006 Model (SN M04154X040001-999999)

60-Inch

(4110/4115 Compact Utility Tractor)

2002 Model (SN TC4160X010001-015000)

2003 Model (SN M04160X015001-026000)

2004 Model (SN M04160X026001-030000)

2005 Model (SN M04160X030001-040000)

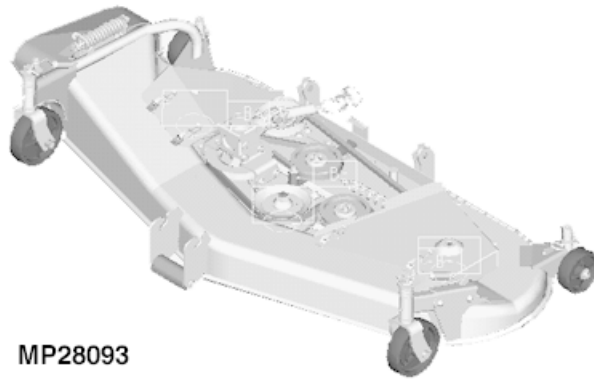
2006 Model (SN M04160X040001-050000)

2007 Model (SN M04160X050001-999999)

(specifications and design subject to change without notice)

Mid-Mount Rotary Mower

A.1



MP28093

72-Inch

(4115 Compact Utility Tractor)

2002 Model (SN TC4172X010001-015000)

2003 Model (SN M04172X015001-025000)

2004 Model (SN M04172X025001-040000)

2005 Model (No Build)

2006 Model (SN M04172X040001-050000)

2007 Model (SN M04172X050001-050260)

2008 Model (No Build)

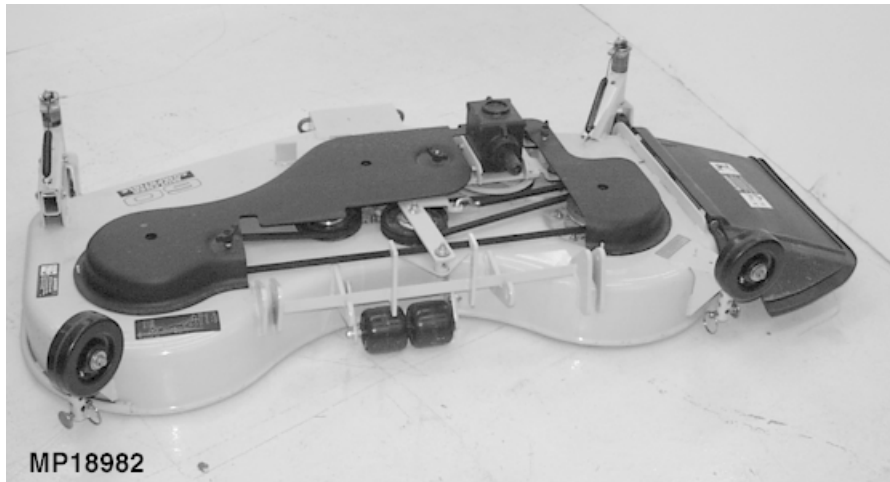
2009 Model (SN M04172X050261-060000)

2010 Model (SN M04172X060001-)

(specifications and design subject to change without notice)

Mid-Mount Rotary Mower

A.1



60-Inch

(4210/4310/4410 Compact Utility Tractor)

2002 Model (SN TC4260X010001-015000)

2003 Model (SN M04260X015001-026000)

2004 Model (SN M04260X026001-030000)

2005 Model (SN M04260X030001-040000)

2006 Model (SN M04260X040001-050000)

2007 Model (SN M04260X050001-060000)

2008 Model (No Build)

2009 Model (SN M04260X060001-)

72-Inch

(4210/4310/4410 Compact Utility Tractor)

2002 Model (SN TC4272X010001-015000)

2003 Model (SN M04272X015001-026000)

2004 Model (SN M04272X026001-030000)

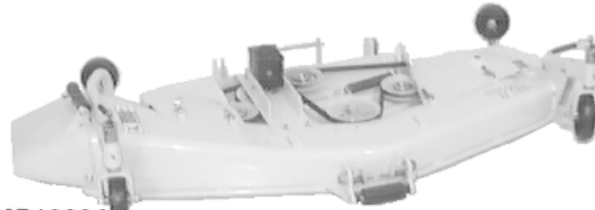
2005 Model (SN M04272X030001-040000)

2006 Model (SN M04272X040001-)

(specifications and design subject to change without notice)

Mid-Mount Rotary Mower

A.1



MP18984

72-Inch

(4510/4610/4710 Compact Utility Tractor)

2002 Model (SN TC0072B300001-310000)

2003 Model (SN M00072B310001-320000)

2004 Model (SN M00072B320001-999999)

2005 Model (SN M00072C320001-330000)

2006 Model (SN M00072C330001-340000)

2007 Model (SN M00072C340001-350000)

2008 Model (No Build)

2009 Model (SN M00072C350001-)

(specifications and design subject to change without notice)

3-Bag Material Collection System For Power Pak

A.1



MP37837

(specifications and design subject to change without notice)

(for engine and blower information, refer to parts catalog 2112)

3-Bag Material Collection System (2210/4115)

A.1



MP37836

*(specifications and design subject to change without notice)***Product Identification And Serial Number Plate**

An individual product identification and serial number is assigned to each machine. When writing about or filling out warranty claims, use all the characters shown on the plate.

Example: TC4260X010001
 TC-Factory Designation (Turf Care)
 4260 -Model Or Machine Designation
 60-Inch Mower Deck
 X-Configuration Code
 010001 -Serial Number

Product Configuration Code

The configuration "alpha" code identifies a variation of a product. Example: A machine may be manufactured as a two-wheel or four-wheel drive unit, and be shipped with standard or wide cutting units; thus four variations of the same machine exist. It also identifies different products which have the same model or machine designation (a tractor and an attachment tiller may have the same model numbers). If no configuration "alpha" code is required, space is filled in with an "X".

Serial Number Listing Information

Serial number information is listed to show on which machines each part can be used; for example:

- The part can be used on all products.
- 000000 – The part can be used on products beginning with the serial number listed.
- 000000 The part can be used on products up to and including the serial number listed.
- 000000 – 000000 The part can be used on products between and including the serial number listed.

When XXXXXX's are listed in place of a serial number, a serial number change was made, but the exact serial number was not available when the catalog was produced.

If product identification numbers or serial numbers are required for warranty claims or correspondence pertaining to this product, it is extremely important that all characters be furnished. This point cannot be overemphasized.

Box-enclosed Illustrations

A key number, shown in the parts list, is assigned to a box enclosing all parts sold as a service assembly. A box not keyed includes non-current parts.

Bolt and Cap Screw Strength Identification

Bolts and cap screws required to have high-strength qualities equivalent to SAE grade 8 are identified throughout this catalog by the description HS SAE 8 (10.9 for metric). All standard bolts and cap screws are SAE grade 5 (metric 8.8) or lower.

Whole Goods Listings

Whole goods are listed in bold face type. Refer to lawn and grounds care sales manual for whole goods ordering information. Order separately. Do not include on replacement parts order.

Direction Arrow

Arrows are used with illustrations to indicate the front of the unit. "Right-Hand" and "Left-Hand" sides are determined by facing in direction of machine forward travel.

Exception: For all backhoe parts, "Right-Hand" and "Left-Hand" sides, "Front" and "Rear" are determined when seated for backhoe operation.

To the Customer

The part numbers in this parts catalog were correct at the time your catalog was published. It is our policy to constantly improve our machines, and therefore, part numbers may change. When ordering parts, verify part numbers through your dealer.

Ag and Turf Turf and Utility — Trademarks

7-Iron™	Quik-Trak™	Mulch On Demand™
Aercore™	Ready To Mow™	Trail Gator™
Auto 4x4 Wheel Drive™	RGator™	Turf Gator™
AutoConnect™	Roll-Gard™	X700™
AutoTrac™	iMatch™	ZTrak™
Buck™	John Deere™	Funk™
Gator™	SelectSpray™	iTorque™
Greens Tender™	TerrainCut™	Phoenix™
Precision Cut Reel™	E-Gator™	PowerTech™
PrecisionCut™	eHydro™	TMII™
ProGator™	EZtrak™	TMIII™

Ag and Turf Tractor — Terms and Abbreviations

Phrase	Meaning	Phrase	Meaning
A/C	Air Conditioning	OD	Outside Diameter
ALSO ORDER	Also Order	OOS	Open Operator's Station
APPL	This Application Only	OPTION	Option
AR	As Required	OR	Or
ASSY	Complete Assembly	ORD	Order
ATC	Control Unit for ClimaTrak™	ORD W/	Order With
BCU	Basic Control Unit	OS	Oversize
BIF	Basic Informator	PC0	Power Module (Roof)
CNLA	Complete No Longer Available (Order Individual Parts)	PC5	Power Module (Transmission)
CTL	Cut To Length	PC6	Power Module (HF, CAB)
DSM	Distributed Tractor Informator Switch Module	PEC	Control Unit for PowrQuad™ / E-ICV
ECU	Engine Control Unit	PKG	Package of
EPC	PowrQuad™ PLUS Transmis- sion Control Unit	PLC	Parking Lock Control Unit
EPQT	Electrically Operated PowrQuad™ Transmission	PRF	Performance Monitor
ETC	Electronic Temperature Con- trol	PTO	Power Take-Off
FI	Field Installation Kit	RATIO	Ratio
FIP	Fuel Injection Pump	RCU	Reverser Control Unit
FOR	For	REAR	Rear
FRONT	Front	REMAN	Remanufactured
GSD	GreenStar™ Display	RH	Right Hand
HCS	Hydraulic Cab Suspension	SCV	Selective Control Valve
HTC	Heater Control Unit	SFA	Control Unit for Front Axle Suspension and/Or Cab Sus- pension
ID	Inside Diameter	SIC	E-SCV/E-ICV Control Unit
INCL	Includes	SSU	Control Unit for Steering Sys- tem (AutoTrac™)
INCL KEYS	Including Keys	STD	Standard
IOOS	Isolated Open Operator's Sta- tion	SUB	Replaced by
JDL	JDLink™ Control Unit	SUB FOR	Substitute for
KIT	Kit	TCU	Transmission Control Unit (Au- toPowr™/IVT™)
LGTH	Length	TEC	Tractor Equipment Control Unit
LH	Left Hand	TK	Thickness
Phrase	Meaning	Phrase	Meaning

MOWERS AND MCS - 2210/4000 TEN SERIES COMPACT UTILITY TRACTORS

LOW	Lower	TSC	Control Unit for MFWD Axle With TLS™ and Cab Suspension
MARKED	Marked	UIC	User Interface Control Unit
MF	Made From	UIM	User Interface Module
MFWD	Mechanical Front Wheel Drive	UP	Upper
M-ICV	Mechanical Operated Control Valve (Mid-Mounted)	USE WITH	Use With
M-SCV	Mechanical Operated Selective Control Valve	VTI	John Deere Isobus Display
NA	Not Applicable	W/	With
NLA	No Longer Available	W/O	Without
NSEP	Not Supplied Separately	Z	Gear and Sprocket Teeth Number